

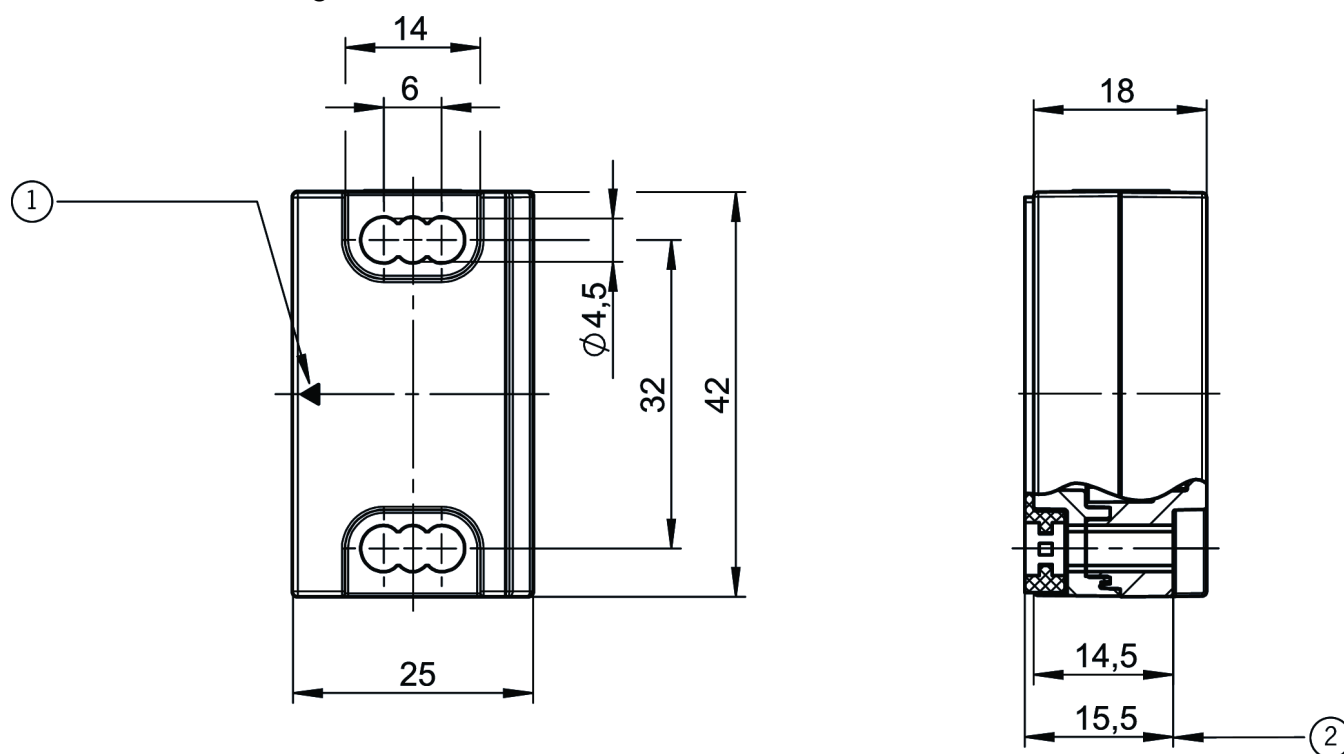
CES-A-BBN-C04-115271 (Order no. 115271)

Actuator CES-A-BBN-C04

- ▶ Cube-shaped design 42 x 25 mm
- ▶ Two safety screws M4x20 and rubber support included



Dimensional drawings



1 Active face

2 With rubber support

Technical data

Approvals



Electrical connection values

| | |
|--------------|-------------------------|
| Power supply | Inductive via read head |
|--------------|-------------------------|

Mechanical values and environment

| | |
|----------------------|--------------------------------|
| Tightening torque | |
| | Fixing screws max. 0.8 Nm |
| Degree of protection | IP67/IP69K |
| Ambient temperature | -25 ... +65 °C |
| Material | |
| | Rubber support NBR 80 ±5 Shore |
| | Housing Plastic (PBT) |

Components included in the set

| | |
|----------------------|------------------------|
| Included accessories | 2x safety screws M4x20 |
|----------------------|------------------------|

Downloads

All documentation for this material can be found on our website:

<https://www.euchner.de/en-us/a/115271/?#downloads-tab>

Ordering data

| | |
|-------------------------------|--|
| Ordernumber | 115271 |
| Item designation | CES-A-BBN-C04-115271 |
| Gross weight | 0,028kg |
| European Article Number (EAN) | 4047048006386 |
| Customs tariff number | 85389099990 |
| ECLASS | 27-27-24-04 Actuator for safety-related proximity switch |

Accessories

Mounting accessories

Safety screws M4 x 20

116978

M4X20-NIRO/V20

- ▶ Safety screws M4 x 20
- ▶ Packaging unit 20 pieces